



AerTablet
User's Manual
(Windows)

Version 0.2

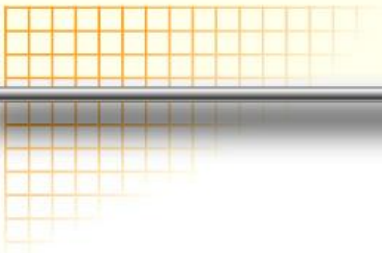
AT-1450
10.1" mobile POS Tablet

Safety and Warranty

1. Read these safety instructions carefully.
2. Keep this user's manual for later reference.
3. Disconnect this equipment from any AC outlet before cleaning. Do not use liquid or spray detergents for cleaning. Use a damp cloth.
4. For pluggable equipment, the power outlet must be installed near the equipment and must be easily accessible.
5. Keep this equipment away from humidity.
6. Put this equipment on a reliable surface during installation. Dropping it or letting it fall could cause damage.
7. The openings on the enclosure are for air convection. Protect the equipment from overheating. **DO NOT COVER THE OPENINGS.**
8. Make sure the voltage of the power source is correct before connecting the equipment to the power outlet.
9. Position the power cord so that people cannot step on it. Do not place anything over the power cord.
10. All cautions and warnings on the equipment should be noted.
11. If the equipment is not used for a long time, disconnect it from the power source to avoid damage by transient over-voltage.
12. Never pour any liquid into an opening. This could cause fire or electrical shock.
13. Never open the equipment. For safety reasons, only qualified service personnel should open the equipment.
14. If any of the following situations arises, get the equipment checked by service personnel:
 - a. The power cord or plug is damaged.
 - b. Liquid has penetrated into the equipment.
 - c. The equipment has been exposed to moisture.
 - d. The equipment does not work well, or you cannot get it to work according to the user's manual.
 - e. The equipment has been dropped and damaged.
 - f. The equipment has obvious signs of breakage.
15. **DO NOT LEAVE THIS EQUIPMENT IN AN UNCONTROLLED ENVIRONMENT WHERE THE STORAGE TEMPERATURE IS BELOW -20° C (-4°F) OR ABOVE 60° C (140° F). IT MAY DAMAGE THE EQUIPMENT.**

Table of Content

Chapter 1	1
Introduction	1
AerTablet (AT-1450) Introduction.....	1
A Quick Tour for AT-1450.....	2
AT-1450 Dimensions (mm).....	5
Rear I/O Panel Connectivity.....	9
AerTablet AT-1450 Contents.....	10
Chapter 2	12
Hardware Installation and Upgrading	12
Cradle Installation.....	12
Docking Station Installation.....	13
Cash Drawer Installation.....	15
Chapter 3	16
Software Installation and Setup	16
Chipset Driver Installation.....	16
Intel Chipset Installation Utilities for Windows 10.....	16
Chapter 4	18
Specifications	18
AT-1450 Specifications.....	18
Chapter 5	21
Troubleshooting	21
Touch Panel Does Not Work.....	21
LAN Is Not Functioning Properly.....	21
COM1 ~ COM5 Are Not Functioning Properly.....	21
Cash Drawer Port Is Not Functioning Properly.....	21



Chapter 1

Introduction

AerTablet (AT-1450) Introduction

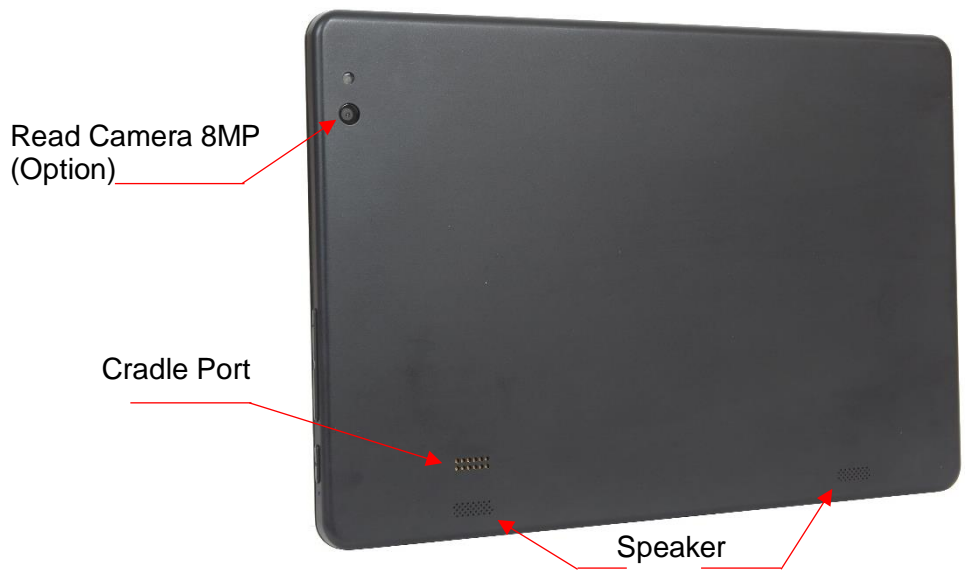
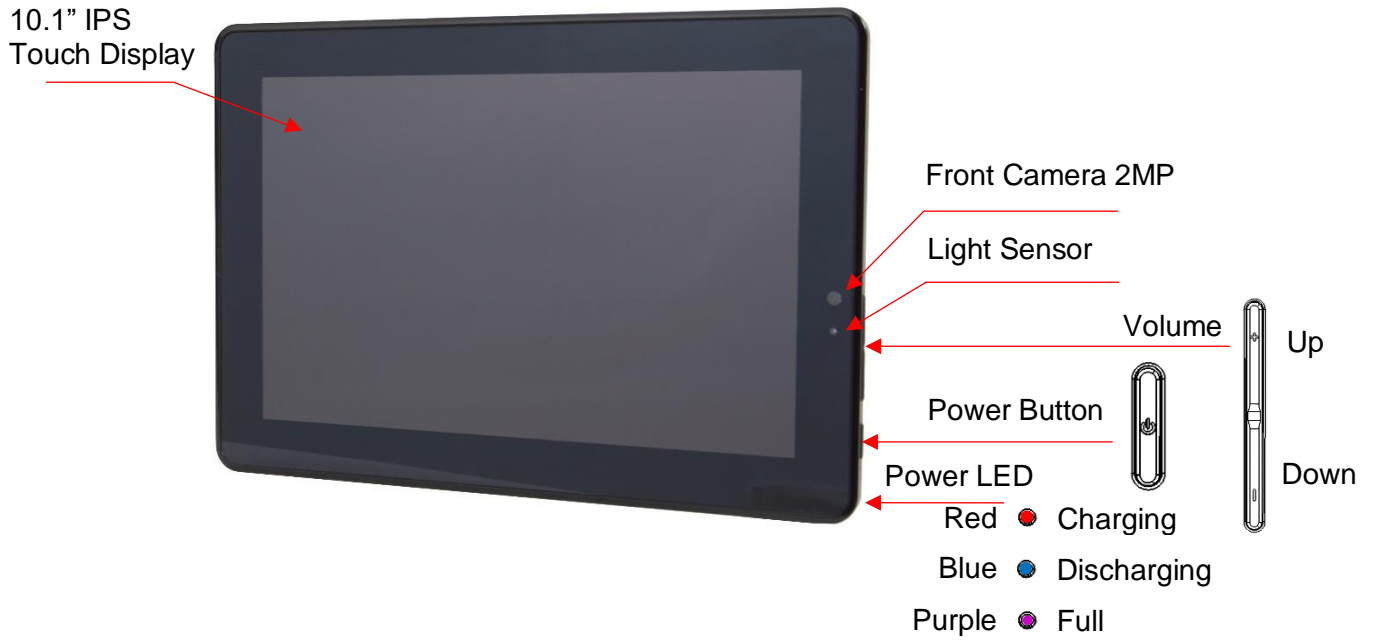
AerTablet is the perfect solution to reduce your Total Cost Ownership (TCO) and a versatile mobile POS (mPOS) system. Our innovative modular design provides a compact package yet delivers stellar performance.

Main Features:

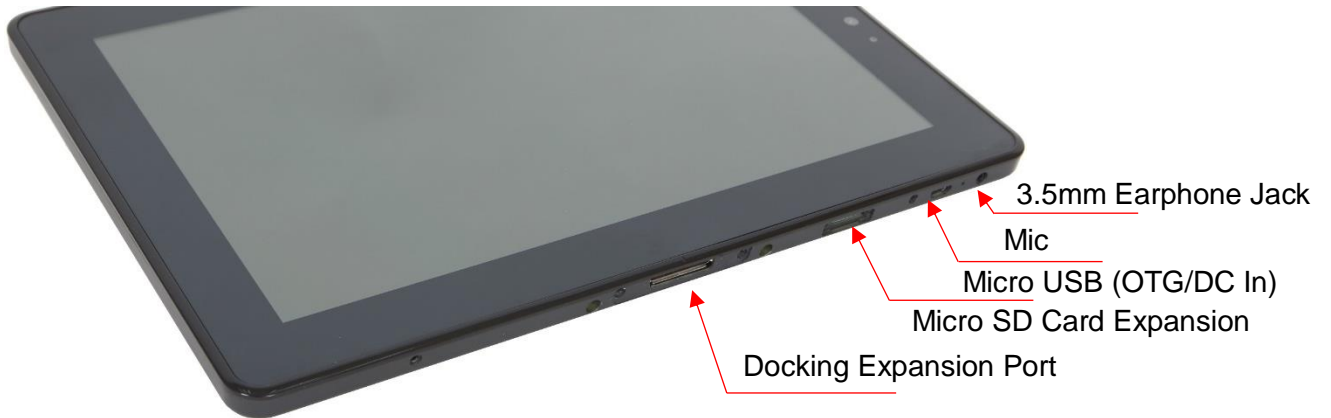
- Dual OS support: Windows 10 64bits and Android 5.1
- 10.1 inch HD LED IPS panel with high brightness
- The high quality projective capacitive touch has 10 point multi-touch and is scratch resistant.
- Mobile platform aims for green and energy saving requirement
- Modularized design allows easy function expansion via service cradle
- All-new innovative docking station provides extra I/O addition (USB, Video, Audio, DC Power, LAN)



A Quick Tour for AT-1450



AetTablet Series AT-1450



AT-1450 Cradle (Components may vary depending on your configuration)



AT-1450 Docking Station (Option)

AetTablet Series AT-1450

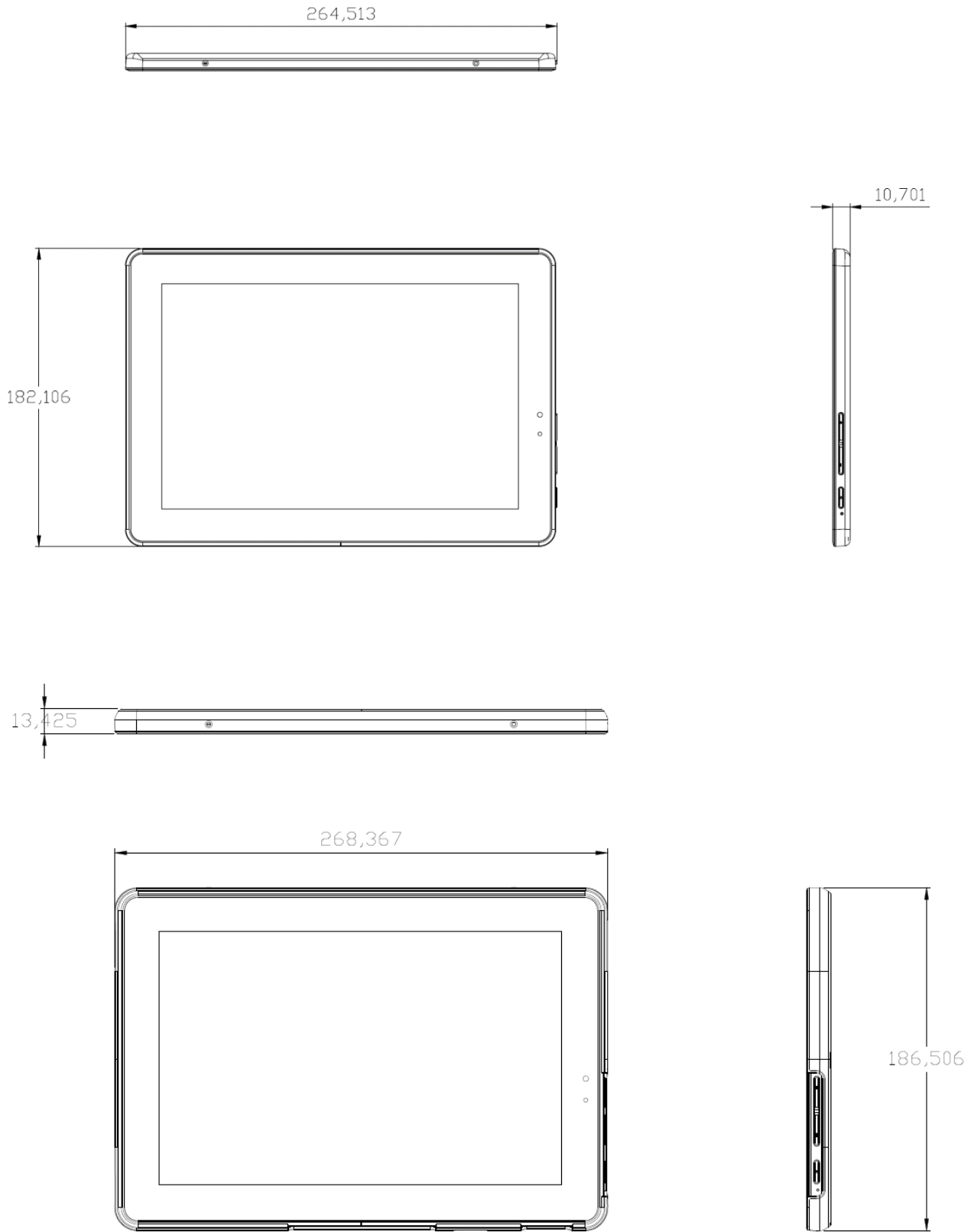
Docking Connector



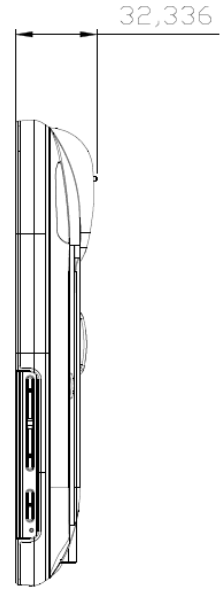
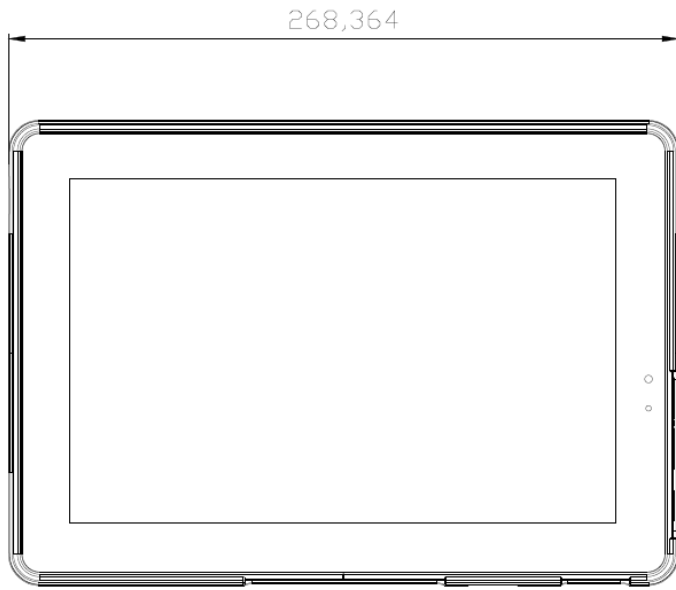
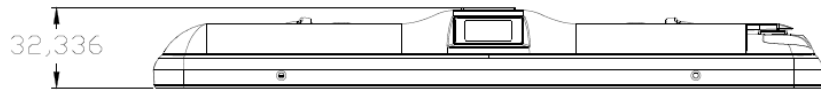
Tablet Lock



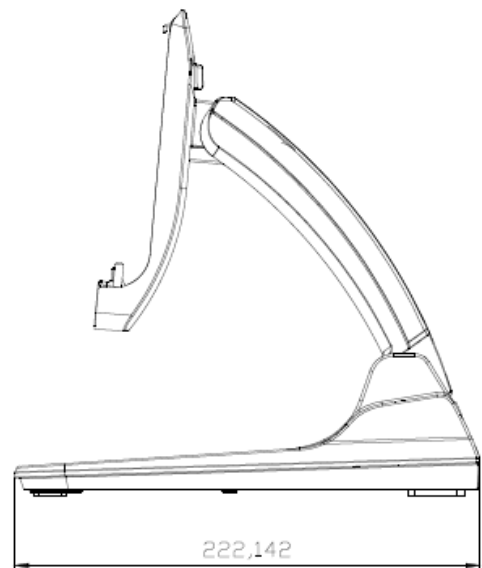
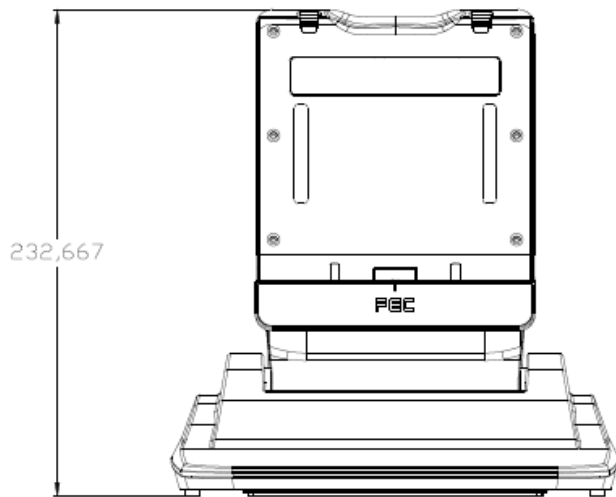
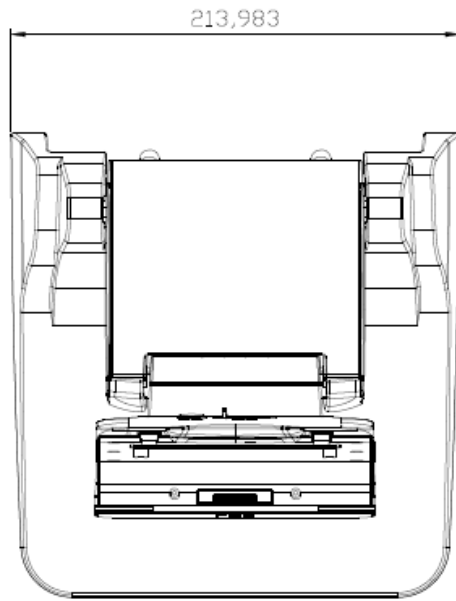
AT-1450 Dimensions (mm)



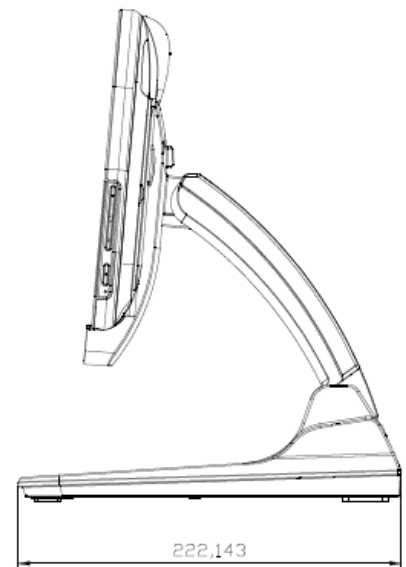
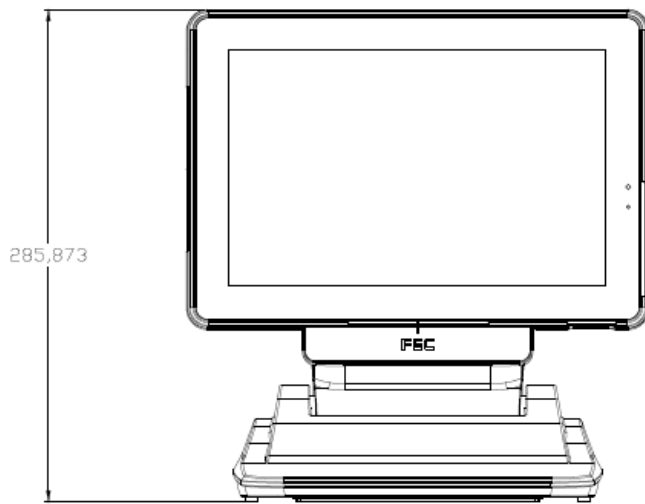
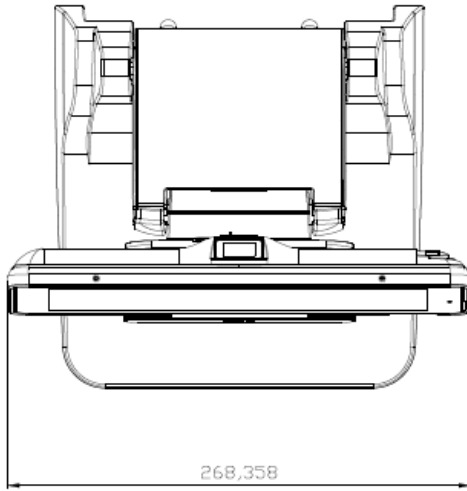
AetTablet Series AT-1450



AetTablet Series AT-1450

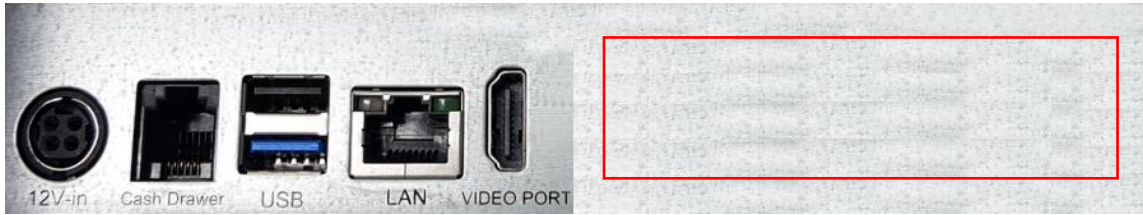


AetTablet Series AT-1450



Rear I/O Panel Connectivity

IO Default



DC IN	Cash Drawer	USB2.0	Ethernet	Video
12V	12V	USB3.0	10/100	Port

Option 2nd IO

Option 2nd IO

2 nd IO type		
Type A		1*24V Out、2*RJ45 COM Port
Type B		1*PUSB24V、2*RJ45 COM Port
Type C		1*PUSB12V、2*RJ45 COM Port
Type G		3*PUSB12V
Type H		1*PUSB24V、2*PUSB12V

I/O Port	Connector Type	Description
12V DC in	DC-in (4 Pin)	12V DC input
Cash Drawer	RJ-11	12V
USB	USB Type A	USB 2.0
USB	USB Type A	USB 2.0 / 3.0

AerTablet Series AT-1450

Ethernet	RJ-45	10/100 mbps LAN
Video	HDMI	2 nd Display
Option Type A		
24V DC Out	DC-Out (3 Pin)	24V DC Output
COM A	RJ-45	Serial port COM 3 (DC voltage select via Jumper) RI— off ; 5V—Green Light ; 12V – Orange Light
COM B	RJ-45	Serial port COM 4 (DC voltage select via Jumper) RI— off ; 5V—Green Light ; 12V – Orange Light
Option Type B		
24V USB 2.0	24V USB	24V USB
COM A	RJ-45	Serial port COM 3 (DC voltage select via Jumper) RI— off ; 5V—Green Light ; 12V – Orange Light
COM B	RJ-45	Serial port COM 4 (DC voltage select via Jumper) RI— off ; 5V—Green Light ; 12V – Orange Light
Option Type C		
12V USB 2.0	12V USB	12V USB
COM A	RJ-45	Serial port COM 3 (DC voltage select via Jumper) RI— off ; 5V—Green Light ; 12V – Orange Light
COM B	RJ-45	Serial port COM 4 (DC voltage select via Jumper) RI— off ; 5V—Green Light ; 12V – Orange Light
Option Type G		
12V USB 2.0 *3	12V USB	12V USB
Option Type H		
24V USB 2.0	24V USB	24V USB
12V USB 2.0 *2	12V USB	12V USB



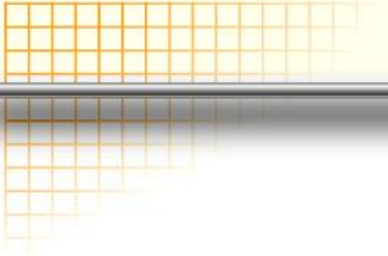
Before disconnecting the power USB cable from I/O panel, ensure the DC power supply is disconnected to protect the unit.

AerTablet AT-1450 Contents

Standard		Optional & Peripherals	
1	AT-1450 10.1" Tablet POS Terminal	1	RJ-45 to D-sub9 Convert Cable
2	5V 10W Power Adaptor	2	Cradle

AetTablet Series AT-1450

3	USB Cable	3	Docking Station
		4	Optional 2nd IO
		5	12V 60W/150W Power Adaptor



Chapter 2

Hardware Installation and Upgrading

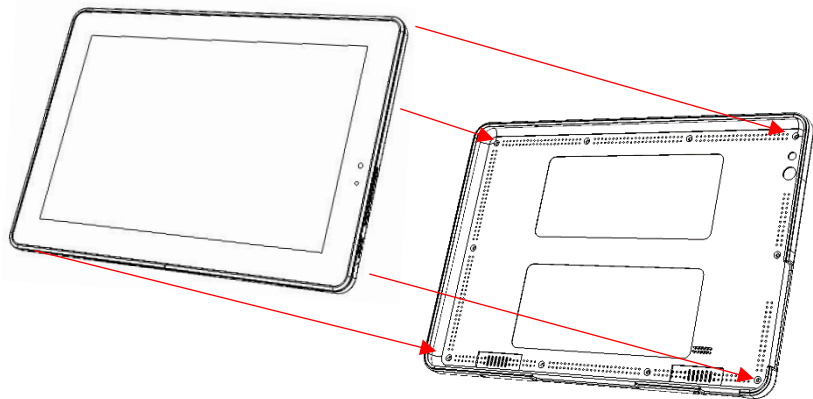


Do not remove the Display Module without switch off the terminal. Power must be switched off and power cord must be unplugged. Every time you service the system, please be aware of this.

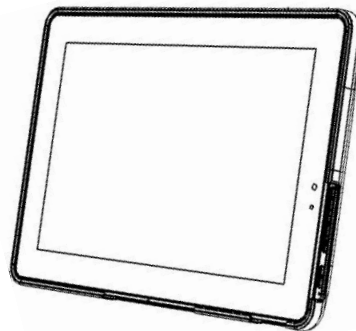
Cradle Installation

1. Turn off power and remove power cord from the terminal

Press the tablet into the cradle as shown

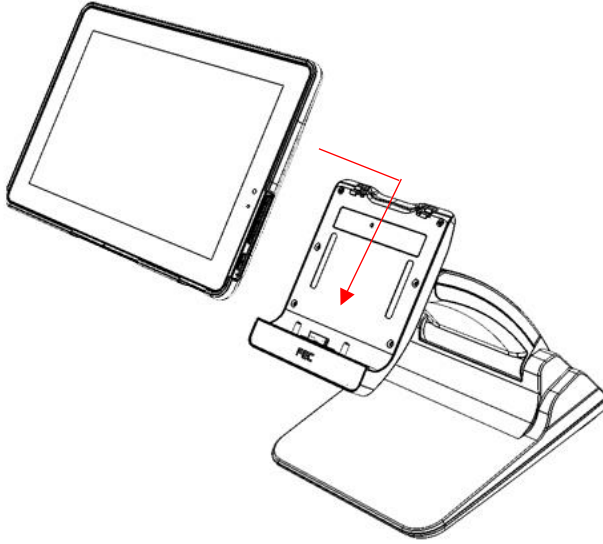


2. Ensure the cradle edge has wrapped around and over the tablet. Secure the screws on top and bottom of the cradle

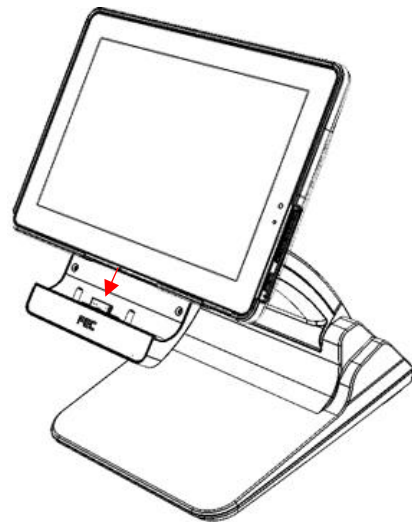
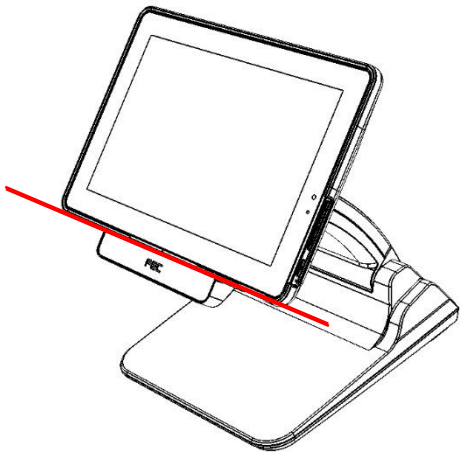


Docking Station Installation

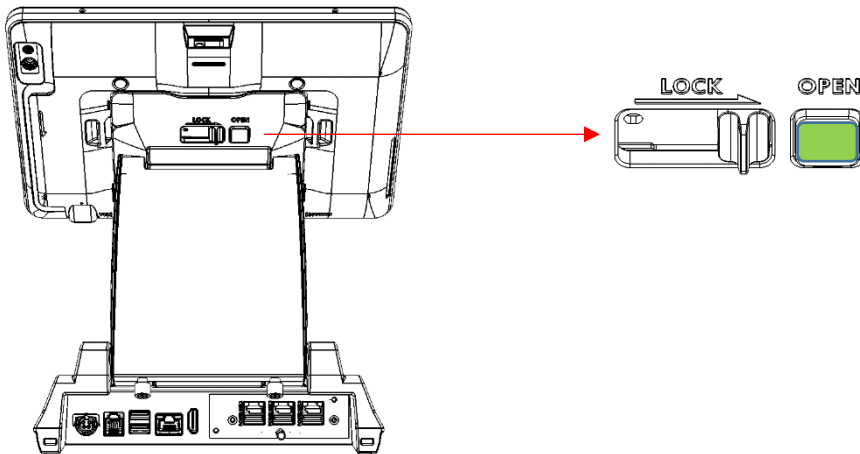
1. Dock the tablet as shown. If handstrap is attached to the cradle, loosen it first.



2. Make sure the docking connector is fully inserted into the cradle.



3. Slide the locking mechanism in the direction shown. The lock will click into place securing the tablet.



Cash Drawer Installation

Before connecting the cash drawer to the, please make sure the voltage and cable pin assignment of the cash drawer matches the definition of the cash drawer on the docking station.



Note: If the cash drawer cannot be detected by the system, please refer to [troubleshooting](#).



Cash_Drawer1: DIO with RJ-11 Connector	
PIN No.	Signal Description
1 (left)	Ground
2	DIO Out 1
3	+12V
4	DIO IN 0
5	DIO Out 0
6	Ground

```
IO_BASE_ADDRESS = 0xfed80000;
R_PCH_CFIO_SOUTHWEST = 0x00;
R_PCH_CFIO_NORTH = 0x 8000
```

Chapter 3

Software Installation and Setup

AT-1450 comes with a variety of drivers for different operating systems.

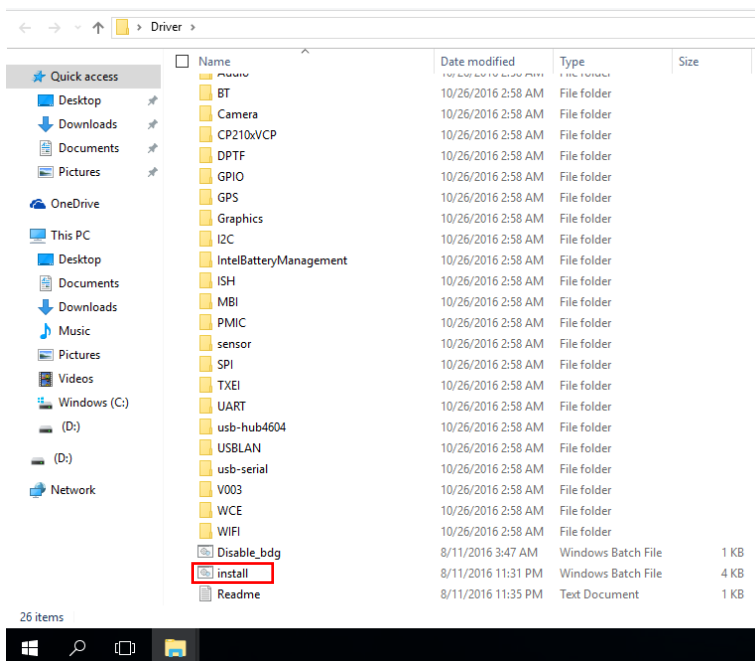
You can download all the necessary drivers and utilities from <http://www.fecpos.com>.

Or send an e-mail to the Customer Service Department of FEC for further assistance.

Chipset Driver Installation

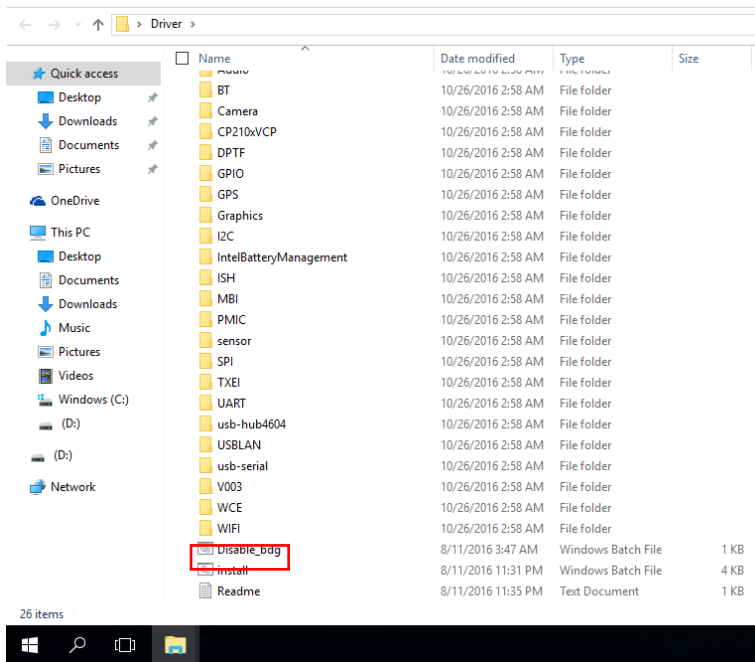
Intel Chipset Installation Utilities for Windows 10

1. Copy the **drivers.zip** file to your device, and unzip it.
2. Right click **install.bat** file, Select run as **administrator** to install the drivers.



3. After the drivers have been successfully installed, right click **Disable_bdg.bat** file, select run as administrator to run it.

AetTablet Series AT-1450



4. Restart the tablet.

Chapter 4

Specifications

AT-1450 Specifications

AT-1450



Specifications

Screen	10.1" IPS, 1280x800, 350nits, MTBF 25k hours	
Touch	Projected Capacitive (10 point Multi-touch)	
Processor	Intel Cherry Trail Quad Core Atom X5 Z8300 1.44G ~ 1.84G	
OS	Android 5.1	Windows 10
Built-in Storage	eMMC 32G (for Android)	eMMC 64G (for Windows)
2nd Storage	Micro SD Card Slot (Max: 128 GB)	
Memory	LP DDR3 2G	LP DDR3 4G
Camera	Front Camera: 2 MP (Default) , Rear Camera: 8 MP (Optional)	
Connection	Wifi 802.11 b/g/n , Bluetooth 4.0	
Battery	Non-Removable 6800mAh Li-on	
Sensor	Acceleration / Gyroscope / Ambient Light	
Audio	Stereo Speakers / 3.5mm Earphone Jack	
USB	Micro USB (DC / OTG)	
Microphone	Built-in mono	
Size & Weight	264.5mm x 182mm x 10.7mm ; 678g	

AetTablet Series AT-1450

Cradle (Components may vary depending on configuration)



Specifications


Drop Protection	1.2m Free Fall
Components	
	Magnetic Stripe Reader (ISO T1/2/3)
	1D/2D Scanner
	IC Card Reader
	NFC Reader/Writer
	Li-po Battery 6800mAh
	1 x USB 2.0 port
Size & Weight	268mm x 187mm x 32.3mm , 458g (depends on add-on devices)

Cradle with peripheral options (Max 3 items, chosen out of 4), 1 x USB 2.0 port (NFC and IC is at same location).

AetTablet Series AT-1450

Docking station



Specifications	
Default I/O Port	
	12V DC in
	12V RJ-11 Cash Drawer Port
	Full HDMI port
	10/100 Ethernet
	1 x USB 2.0
	1 x USB 3.0
Power Adaptor	12V 60W / 12V 150W (Recommended With 2 nd IO)
Optional I/O	Type A/B/C/G/H

Chapter 5

Troubleshooting

Please note that the following troubleshooting guide is designed for engineer who has strong computer hardware knowledge or Engineers and Maintenance.

Touch Panel Does Not Work

- A) Check “Touch Display Module” is connected well with terminal.
- B) Check HID USB touch device is detected by OS.
- C) Check if the touch driver is detected by OS.
- D) Please do not keep the capacitive touch in high humidity and environment with high condensation, such as in a bathroom, the touch performance will diminish or might need to be calibrated more frequently.
- E) Check the cable connection between touch panels and touch controller
- F) To calibrate the touch, reboot the system, and the touch panel will self-calibrate automatically.

LAN Is Not Functioning Properly

- A) Check if the LAN driver is installed properly.
- B) Check if the RJ45 cable is properly connected.
- C) The on-board LAN chip could be defective.

COM1 ~ COM5 Are Not Functioning Properly

- A) Check if the I/O ports are enabled in the CMOS setup.
- B) The main board or I/O board could be defective.

Cash Drawer Port Is Not Functioning Properly

- A) Make sure the pin assignment matches between the cash drawer and the RJ11 cash drawer port.
- B) Verify if the digit I/O port address and bit are correct.
- C) The main board could be defective.